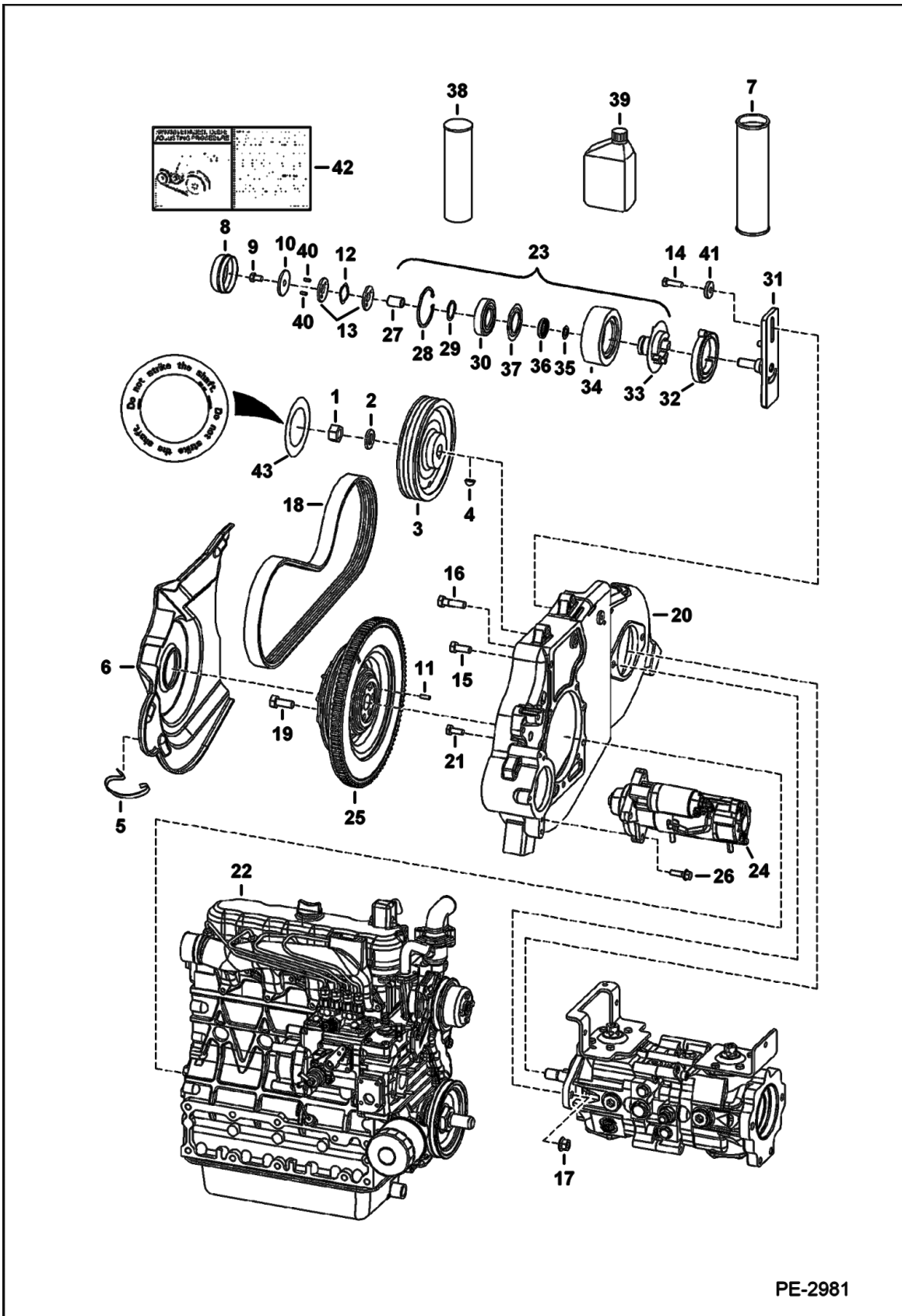


ENGINE & ATTACHING PARTS (Belt Drive System)



PE-2981

Model Number: S175
 Serial Number: 530111001 & Above, 530211001 & Above, A8M411001 & Above, A8NY11001 & Above, A8NZ11001 & Above

ENGINE & ATTACHING PARTS (Belt Drive System)

| Ref. | PN | Description | SN | Qty. |
|------|---------|---|-----------------|------|
| 1 | 92D12 | NUT | | 1 |
| 2 | 6576033 | WASHER | | 1 |
| 3 | 7113635 | PULLEY hyd pump - 3-groove - 202 mm (7.95") dia | | 1 |
| 4 | 6J807 | KEY, WOODRUFF SJC | | 1 |
| 4 | 6682261 | KEY manual controls | | 1 |
| 5 | 6703022 | CLIP | | 3 |
| 6 | 7109712 | SHIELD | | 1 |
| 7 | 6903122 | GREASE, MULTI PURPOSE Use W/Ref. 23 - Was 6599719 - A | | x |
| 8 | 6708770 | CAP dust | | 1 |
| 9 | 43C610 | BOLT pre-applied thread locker - Was 17C610 - B | | 1 |
| 10 | 6705232 | WASHER | | 1 |
| 11 | 14J1808 | PIN | | 2 |
| 12 | 6710585 | WASHER wave spring | | 1 |
| 13 | 6705231 | WASHER | | 2 |
| 14 | 17C620 | BOLT | | 1 |
| 15 | 6719828 | BOLT | | 2 |
| 16 | 17C828 | BOLT hyd pump mount | | 2 |
| 17 | 85D8 | NUT, 5 | | 2 |
| 18 | 6736775 | BELT, DRIVE pump drive | | 1 |
| 19 | 6598275 | BOLT | | 6 |
| 20 | 6726613 | MOUNT, ENG | | 1 |
| 21 | 6719825 | BOLT | | 7 |
| 22 | | ENGINE See Illustration ENGINE & GASKET KITS/ NA1529 | | 1 |
| 23 | 6735884 | IDLER ASSY. spring loaded - Ref. 8-10, 12, 13, 23, 31, 32 & 40 - Also Order Ref. 42 | | 1 |
| 23 | 6714212 | PULLEY ASSY. Ref. 27-30 & 33-37 | | 1 |
| 24 | | STARTER See Illustration STARTER/B16488R | | 1 |
| 25 | | FLYWHEEL ASSY SeeBTI388ldrNLA - W/ring gear - Order 7155781 flywheel - A | E/ 7Z9999 & Bel | 1 |
| 25 | 7155781 | FLYWHEEL, ENG ASSY SeeBTI388ldr- W/ring gear | E/ 8A0001 & Abv | 1 |
| 25 | 6510470 | RING GEAR | | 1 |
| 26 | 35C620 | BOLT 5 | | 3 |
| 27 | 6682442 | SLEEVE bronze sleeve | | 1 |
| 28 | 6658847 | RING | | 1 |
| 29 | 6658536 | RING | | 1 |
| 30 | 6668114 | BEARING ball | | 1 |
| 31 | 6735883 | BRACKET | | 1 |
| 32 | 6705491 | SPRING torsion | | 1 |
| 33 | 6711699 | HUB ASSY. | | 1 |
| 34 | 6704391 | PULLEY idler | | 1 |
| 35 | 6685735 | SEAL | | 1 |
| 36 | 6703168 | BEARING thrust | | 1 |
| 37 | 6664209 | SEAL | | 1 |
| 38 | 6633583 | SEALANT, POLYURETHANE 300 ML tube - 300 ml | | x |
| 39 | 6661405 | OIL | | x |
| 40 | 6713370 | PIN | | 2 |
| 41 | 6704484 | WASHER | | 1 |
| 42 | 6709030 | DECAL belt tension - spring loaded idler | | 1 |
| 43 | | DECAL NLA - pulley - do not strike - Was 7122009 - A | | 1 |